

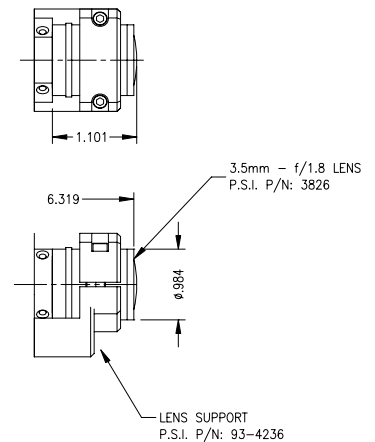
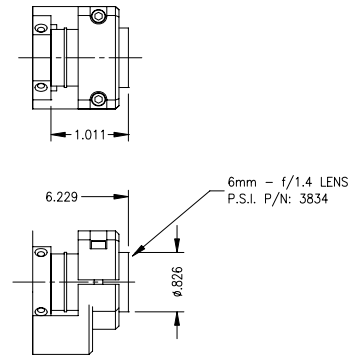
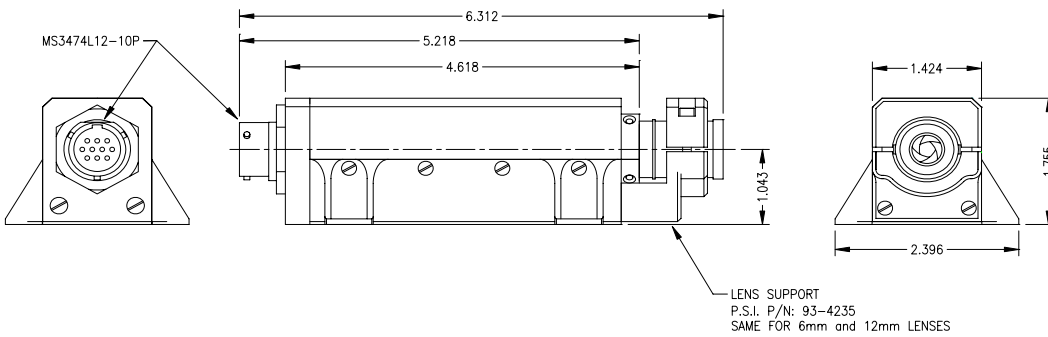
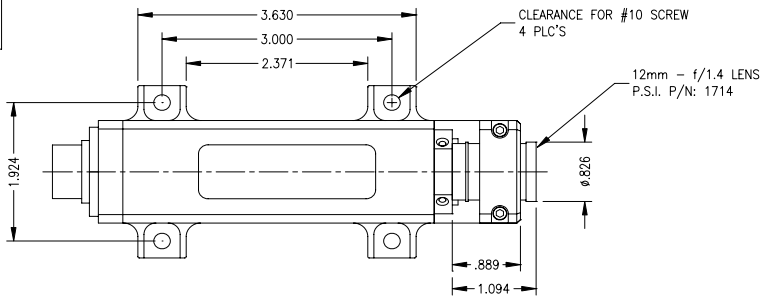


Model 475 Ruggedized Color Video Camera

PART NUMBERS
93-4220-100 (NTSC)
93-4220-300 (PAL)

NOTE: Input power to camera and the DIP switch settings must be specified at time of purchase.

- MS3474L12-10P
- A VIDEO OUT (RS-170A)
 - B VIDEO RTN
 - C GEN-LOCK INPUT
 - D CHROMANCE OUT
 - E A/C GROUND
 - F HD INPUT
 - G VD INPUT
 - H +12 VDC CAMERA POWER
 - J +28 VDC CAMERA POWER
 - K +12/+28 VDC RTN



Features

- Power Converter Built-In
- Small Size
- One Piece
- Ruggedized for High Performance Aircraft Environments
- 470 TVH Lines Resolution
- +28VDC Power Converter

Applications

- Aircraft Over-the-Shoulder
- Recording DDI & MFD
- Flight tests
- Stores separation
- Reconnaissance viewfinder systems
- Commercial airline cabin camera

Photo-Sonics, Inc.

LEADERS IN HIGH-SPEED PHOTOGRAPHIC MOTION ANALYSIS SYSTEMS
820 South Mariposa Street Burbank CA 91506 U.S.A.
TEL 818-531-3212 FAX 818-842-2610
www.photosonics.com Request Information: mail@photosonics.com

FEATURES

- ◆ Power requirements: +12.0VDC; +11-16VDC or +28.0VDC in accordance with SIL-STD-704E
- ◆ Power consumption: 2.4 Watts, +11 to 16VDC
- ◆ Pickup device: Interline-Transfer Hyper HAD CCD, 1/2"
- ◆ Horizontal resolution:
 - ◇ NTSC: 470 TV lines
 - ◇ PAL: 460 TV lines
- ◆ Picture elements:
 - ◇ NTSC: 768 (h) x 494 (v)
 - ◇ PAL: 752 (h) x 582 (v)
- ◆ S/N ratio:
 - ◇ NTSC: >48dB
 - ◇ PAL: >46dB
- ◆ Sensitivity: 2000 Lux at f/8, AGC-OFF
- ◆ Internal or external sync
- ◆ Shutter speeds: 1/60th second, 1/100,000 second, flickerless and CCD iris
- ◆ AGC: on/off
- ◆ Gamma: 0.45/1
- ◆ White balance: ATW, 3200K, 5600K, and manual
- ◆ Video formats: Y/C component and NTSC composite
- ◆ Weight:
 - ◇ Camera: 11.0 oz
 - ◇ Lens (6 and 12 mm): 1.0 oz
 - ◇ Lens support: (P/N 4113): 1.0 oz
- ◆ 12 month warranty

ENVIRONMENTAL SPECIFICATIONS

Operating Temperature:	-40°C to +71°C
Storage Temperature:	-50°C to +40°C
Altitude:	50,000 feet
Over Pressurization:	-15,000 feet
Humidity Operating:	+90% RH, 60°C, 2 hrs
Humidity Storage:	48 hrs (two 24 hr cycles)
	◇ 95% RH, +50°C, 6 hours
	◇ 85% RH, +38°C, 16 hrs
Vibration:	Random, 6 G rms, 5 min duration
Shock:	10Gs, 11msec, 1/2 sine wave, 3 axes
Acceleration:	Lateral (Nx) - 6Gs; Longitudinal - 6Gs Normal (+Nz) - +8Gs; Normal (-Nz) -6Gs

OPTICAL SPECIFICATIONS

Lens Focal Length	FOV Horiz	Degrees Vert	FOV Horiz	Milliradians Vert	Application
25.0mm, f2.5	14.6	11.0	255	191	HUD-Special & General
16.0mm, f1.4	22.6	17.1	395	298	HUD-Special & General
15.0mm, f1.4	24.1	18.2	420	317	HUD-Special
12.0mm, f1.4	29.9	22.6	521	395	General
7.0mm, f1.4, AEC	49.1	37.9	858	661	Auto Iris
12.0mm, f1.4, AEC	29.9	22.6	521	395	Auto Iris
6.0mm, f1.4	56.1	43.6	980	761	General
3.5mm, f1.4	84.9	68.9	1481	1202	General